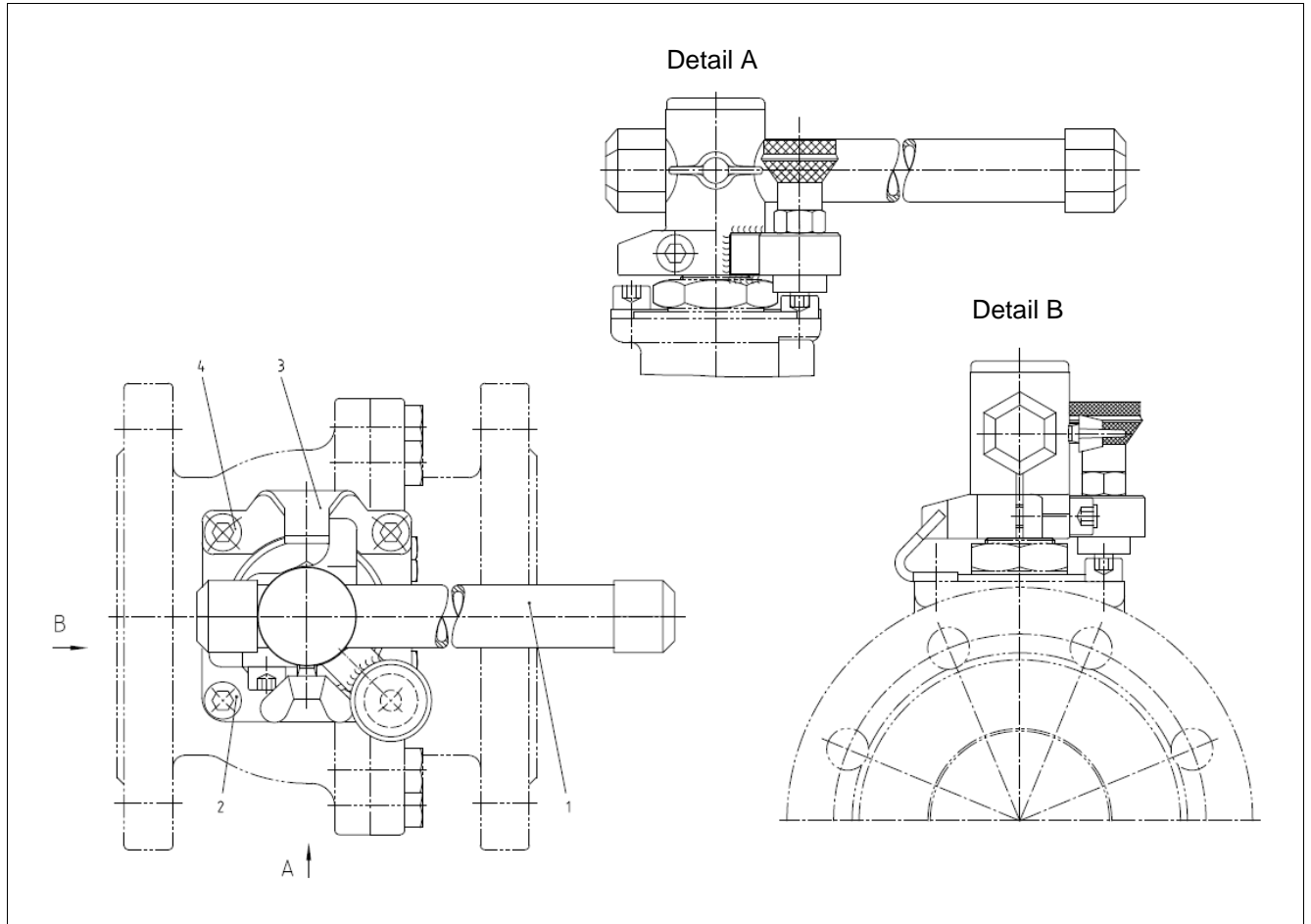


BALL VALVES INTEC

Grid unit

INTEC 20, DN80 - DN100



No.	Part	Material
1	lever with locking bolt	1.4408/A2-Nirosta
2	socket screw	A2-70
3	stopper	1.4301
4	socket screw	A2-70