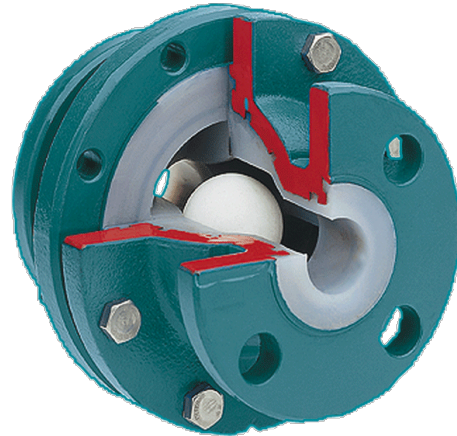


GLOBUS

Ball check valve with FEP/PFA lining, with or without sightglass

DIN-EN: DN 15 - 250 / PN 10 - 40

ASME: NPS 1" - 4" / class 150



Design Features

Design Characteristics • temperatur range up to 150°C (Type GLOBUS) / 130°C (Type GLOBUS-SG)

• Borosilikat sightglass for visual function control (Type GLOBUS-SG)

• FFEP or PFA lining (3 m min.) **Condition:**

After the check valve in flow direction the pipe-DN must correspond to the check valve-DN. Recommendation for vertical type: DELTA. When vertically installed (=0°) resp. (up to 60° angle) ball ceck valves close automatically, because ball is guided in the centre of the bore. When horizontally installed (=90°) resp. (up to 30°) the valves close automatically if the back flow related water is 1,5 - 2,5 m/sec

Materials

Standard

• Ductile cast iron ENJS 1049, ASTM Gr 60-40-18 / A395 **Special materials**

• Carbon Steel 1.0619 / ASTM A216 WCB

• Stainless steel 1.4308 / ASTM A351 CF8M

• Unalloyed stainless steel casting (low Temp.) 1.1138 / LCC/LCB / A352 **Sightglass**

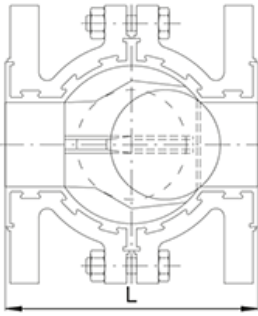
• Borosilikat **Ball**

- PTFE Lining materials
- Body: PFA, PFA-conductive, FEP

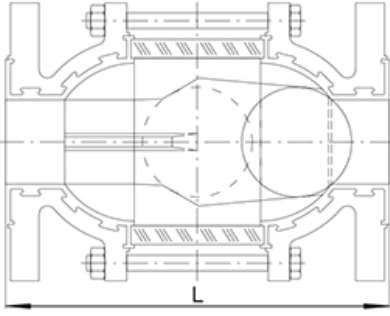
Dimensions

	GLOBUS			GLOBUS-SG		
	DN	PN	LG	PN	p _{max} **	L
DIN 3202/EN 568-1	15	10-40	115	16	15,8	130
	20	10-40	120	16	13,5	150
	25	10-40	125	16	11,2	160
	32	10-40	130	16	8,7	180
	40	10-40	140	16	11,9	200
	50	10-40	150	10	9,0	230
	65	10-40	170	10	7,7	290
	80	10-40	180	10	6,2	310
	100	10/16	190	10	3,8	350
		25/40				
	150	10/16	267	10	*	350
		25/40				
200	10/16/25	292	10	*	400	
250	10/16/25	330	10	*	450	
ASME B 16.5	NPS	PN	LG	PN	p _{max} **	L
	1"	150	125	150	11,2	160
	1½"	150	*	150	*	*
	2"	150	150	150	9,0	230
	3"	150	180	150	6,2	310
	4"	150	190	150	4,8	350

Type GLOBUS (without sightglass)



Type GLOBUS-SG (with sightglass)



* on request

Higher pressure load on request

Other DN, PN, e.g. ANSI 300 and JIS as well as other materials on request