

ZIRKULAR

Tubular sightglass with smooth full bore

DIN-EN: DN 15 - 150 / PN 10 - 16

ASME: NPS 1" - 4" / class 150



Design Features

Design Characteristics

- temperature range up to 180°C

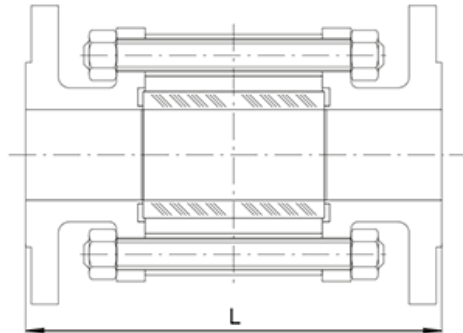
Materials

Standard

- Stainless steel 1.4408 / ASTM A351 CF8M **Special materials**
- other materials on request **Sightglass**
- Borosilikat

Dimensions

DIN 3202/EN 558-1	DN	PN	p_{max}^{**}	L
	15	16	15,8	150
	20	16	13,5	150
	25	16	11,2	160
	32	16	8,7	180
	40	16	11,9	200
	50	10	9,0	230
	65	10	7,7	290
	80	10	6,2	310
	100	10	4,8	350
ASME B 16.5	NPS	PN	p_{max}^{**}	L
	1"	150	11,2	160
	1½"	150	11,9	200
	2"	150	9,0	230
	3"	150	6,2	310
	4"	150	4,8	350



* on request
 Higher pressure load on request
 Other DN, PN, e.g. ANSI 300 and JIS as well as other materials on request