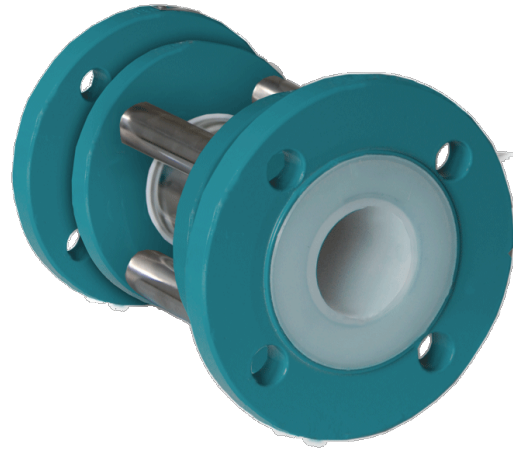


ZIRKULAR-A

Tubular sightglass with smooth full bore, with FEP/PFA lining

DIN-EN: DN 15 - 150 / PN 10 - 25

ASME: NPS 1" - 4" / class 150



Design Features

- Konstruktionsmerkmale** • temperatur range up to 130°C
- FEP or PFA Lining (min 3 mm)

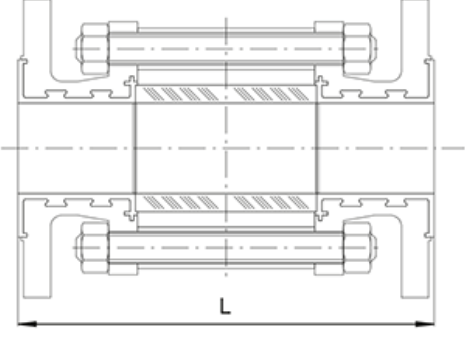
Materials

Standard

- Ductile cast iron ENJS 1049, ASTM Gr 60-40-18 / A395 **Special materials**
- Carbon Steel 1.0619 / ASTM A216 WCB
- Stainless steel 1.4308 / ASTM A351 CF8M
- Unalloyed stainless steel casting (low Temp.) 1.1138 / LCC/LCB / A352 **Sightglass**
- Borosilikat **Lining materials**
- Body: PFA, PFA-conductive, FEP

Dimensions

DIN 3202/EN 558-1	DN	PN	p_{max}^{**}	L
	15	16	15,8	150
	20	16	13,5	150
	25	16	11,2	160
	32	16	8,7	180
	40	16	11,9	200
	50	10	9,0	230
	65	10	7,7	290
	80	10	6,2	310
	100	10	4,8	350
	150	10	4,8	350
	200	*	*	*
250	*	*	*	
ASME B 16.5	NPS	PN	p_{max}^{**}	L
	1"	150	11,2	160
	1½"	150	11,9	200
	2"	150	9,0	230
	3"	150	6,2	310
	4"	150	4,8	350



* on request

Higher pressure load on request

Other DN, PN, e.g. ANSI 300 and JIS as well as other materials on request