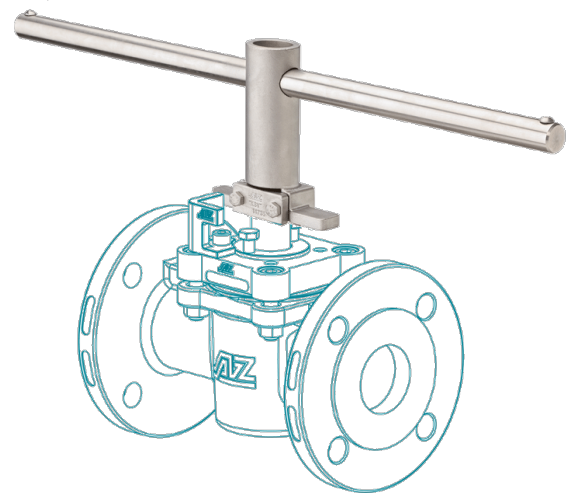


# KSV

## Plug-stem-extension (T-wrench)



## Design Features

### Design Characteristics

- available for all AZ-Valves
- available in any length
- solid construction in stainless steel
- simple mounting
- for remote control
- for thick walled insulating tubes

## Materials

### Standard

- Stainless steel 1.4308, ASTM A351 CF8

## Dimensions

on request