

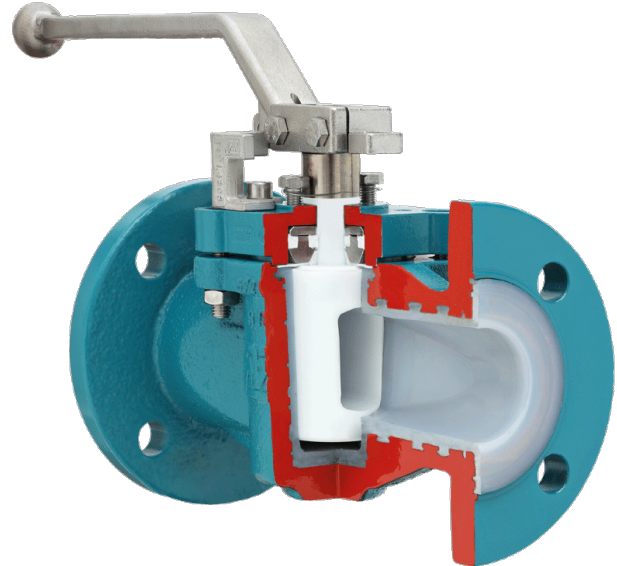
# ISO-STANDARD A CA

**Plug valve with chemical-resistant, vacuum-proof lining, with ISO top flange, sealing system Type CA**

DIN-EN: DN 15 - 600 / PN 10 - 40

ASME: NPS ½" - 24" / class 150 - 300

PT range:  $-30 < T < 210^{\circ}\text{C}$ , vacuum tight



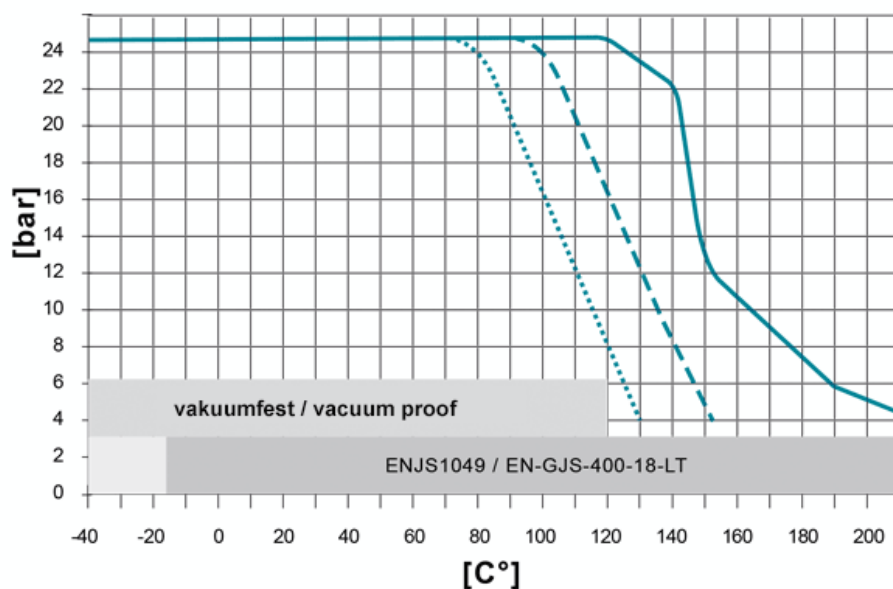
## Design Features

### Design Characteristics

- free of cavities
- maintenance free - self lubricating
- mounting-flange for actuators acc. to DIN ISO 5211
- easy accessible adjustment of the plug, even with mounted actuator
- with chemical resistant lining - thickness min. 3 mm
- fugitive emission resp. clean air act certified (TA - Luft 2002 approval)
- Directive 2014/68/EU
- FDA conformity

## PT-Diagramm

General Pressure-Temperature-Diagram



Body	Lining materials Plug	Tmax
PFA	PTFE	210°C
PFA/FEP	PFA	150°C
PFA	Special material	210°C
PFA cond.	PFA conductive	125°C

Standard lining materials::  
PFA (body) and PTFE (plug)

Lining materials	Body / Plug
—	PFA or FEP / PTFE
- - -	PFA / PFA
.....	PFA / FEP

The specified values depend on the respective application (medium). Operating temperatures under -20°C only with body material 1.4408 or low-temperature steel. High pressure resistance / temperature resistance on request, e.g. PN 40. Sleeve: There are different sleeve materials / compounds available.

## Materials

### Standard body materials

- Ductile cast iron ENJS 1049, ASTM Gr 60-40-18 / A395 **Standard plug materials**

- Stainless Steel 1.4308, ASTM A351 CF8

- Ductile cast iron ENJS 1049, ASTM Gr 60-40-18 / A395 **Special materials**

- Carbon Steel 1.0619, ASTM A216 WCB

- Stainless Steel 1.4408, ASTM A351 CF8M

- Unalloyed stainless steel casting (low Temp.) 1.1138, LCC/LCB/A352 **Lining materials**

- Body: PFA, PFA-conductive, FEP

- Plug: PTFE, PFA, PFA-conductive, FEP

## Sealing Systems

Chemical sealing to prevent fugitive emission of aggressive and toxic media with PTFE packing for additional stem sealing;  $T_{max}$  230°C

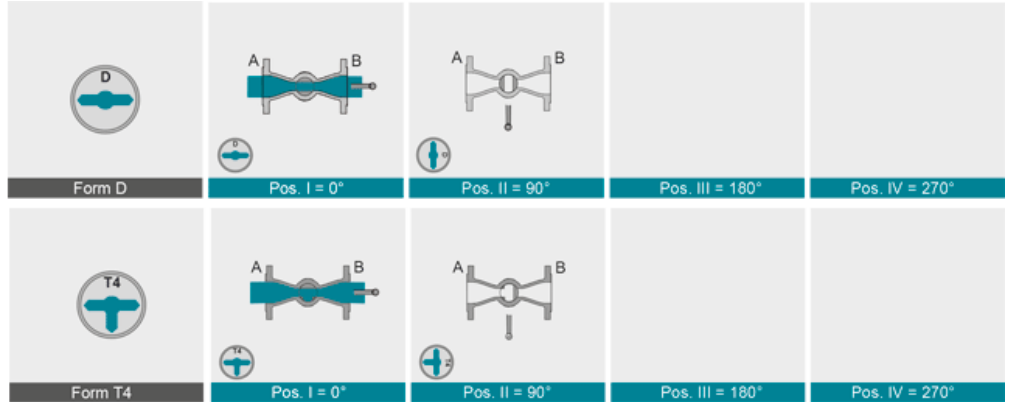
### Type CA

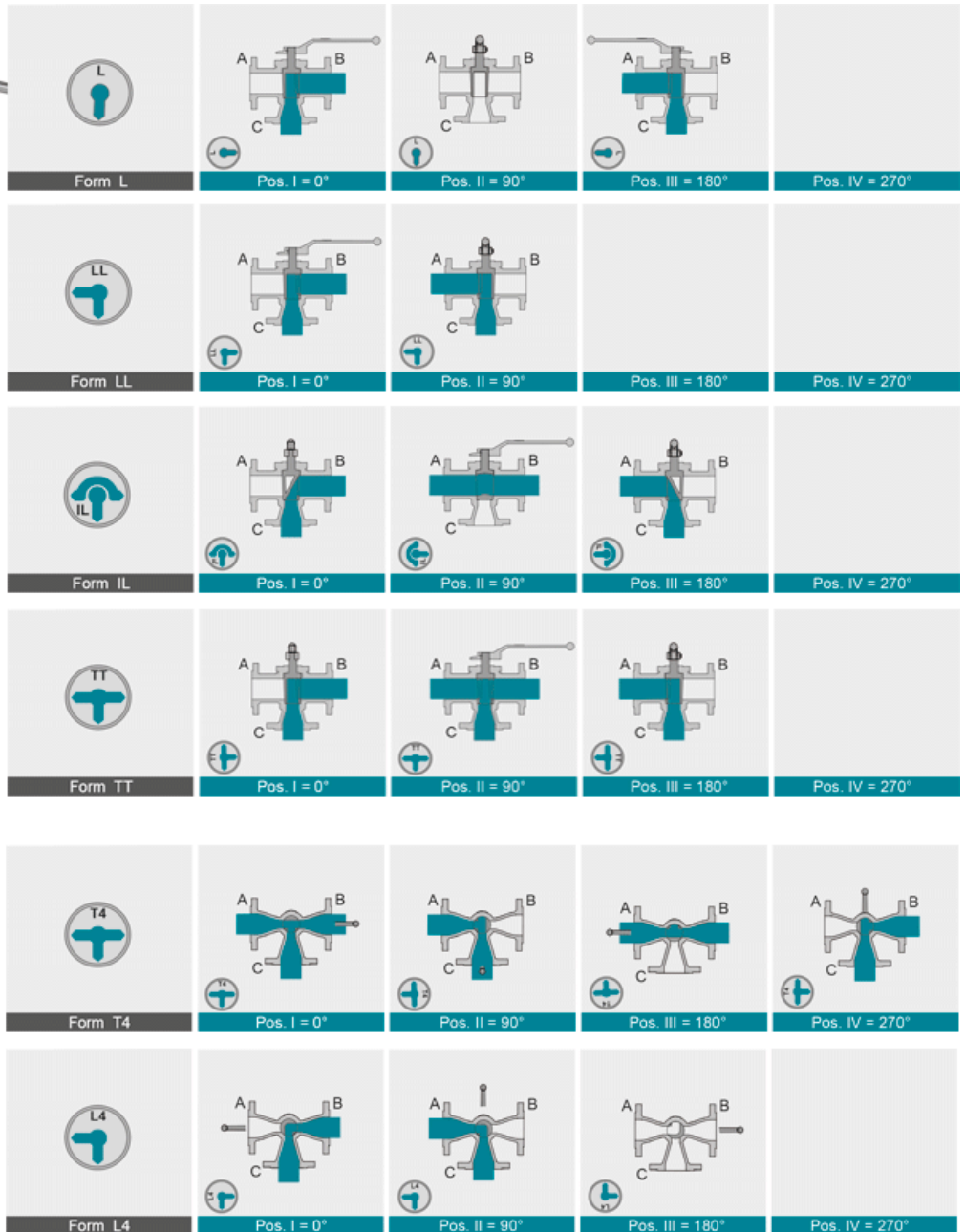
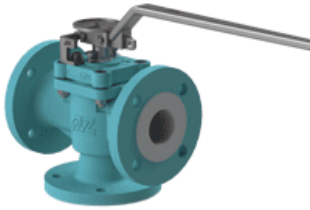
[read more \[...\]](#)

## Port Forms

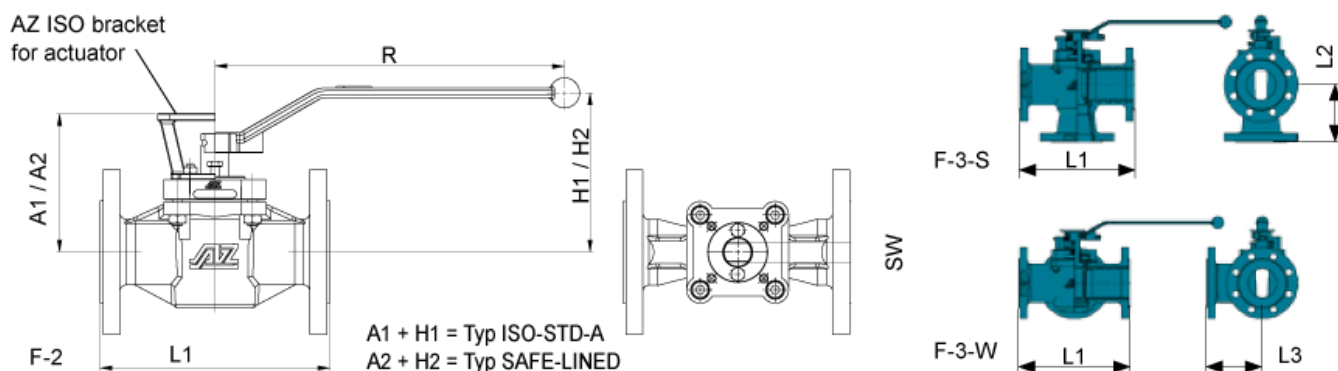


AZ plug valves are fitted with cast, rust proof position indicators  
The position indicator is securely welded to the plug to prevent it from working loose.





## Dimensions



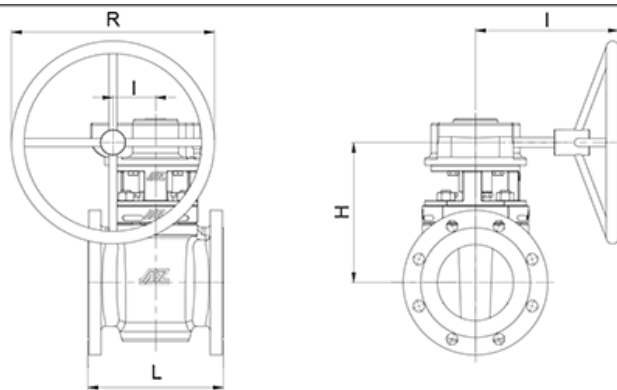
DIN EN 1092/1 / 558-1	DN	PN	L1 [mm]	L2 [mm]	L3 [mm]	A [mm]	H1 [mm]	H2 [mm]	R1 [mm]	H1 [mm]	DIN-ISO bracket	SW [mm]	torque.* [Nm]	weight [kg]	K <sub>v</sub> value [m <sup>3</sup> /h]	C <sub>v</sub> value [US.gal/min]
	15	10-40	130	*	*	88	98	**	200	**	F05	11	40/--	3,8	7,1	8,2
20	10-40	150	75	75	88	98	**	200	**	F05	11	40/--	4,0	5,8	6,7	
25	10-40	160	80	80	94	110	**	200	**	F07	14	90/60	6,5	32	37	
32	10-40	180	90	90	102	117	**	320	**	F07	14	90/60	7,5	51	59	
40	10-40	200	100	100	109	124	**	320	**	F07	14	160/80	10	79	92	
50	10-40	230	115	115	139	160	**	420	**	F07	19	250/120	12	127	147	
65	10-16 25-40	290	*	*	158	170	**	600	**	F10	22	400/260	20	179	207	
80	10-40	310	155	155	158	170	**	600	**	F10	22	400/260	20	246	285	
100	10-16 25-40	350	175	175	158	170	**	600	**	F10	22	400/260	30	203	203	
ASME B 16.5 / 16.10	NPS	L1 [mm]	L2 [mm]	L3 [mm]	A [mm]	H1 [mm]	H2 [mm]	R1 [mm]	H1 [mm]	DIN-ISO bracket	SW [mm]	torque.* [Nm]	weight [kg]	K <sub>v</sub> value [m <sup>3</sup> /h]	C <sub>v</sub> value [US.gal/min]	
	½	150	108	**	88	110	**	200	**	F05	11	40/--	2,7	7,7	9,0	
	300	140	**	**									3,8			
¾	150	117	64	64	88	110	**	200	**	F05	11	40/--	3,2	6,4	7,4	
	300	152	83	83									4,3			
1	150	127	**	**	94	110	**	200	**	F05	11	90/60	3,5	35	41	
	300	165	**	**							14		6,0			
1¼	150	140	89	89	102			320		F07	14	90/60	7,5	56	65	
	300	178	**	**									8,5			
1½	150	165	**	**	109	124	**	320	**	F07	14	160/80	9	87	101	
	300	190	**	**									10			
2	150	178	**	**	139	160	**	420	**	F07	19	250/120	13	140	162	
	300	216	**	**									16			
2½	150	190	**	**	158			600		F10	22	400/260	16	197	228	
	300	241	**	**									19			
3	150	203	**	**	158	170	**	600	**	F10	22	400/260	18	271	314	
	300	282	**	**									23			
4	150	229	154	**	158	170	**	600	**	F10	22	400/260	26	223	223	
	300	305	**	**									31			

**ISO flange instructions, weights and KVS values for straight-way valves**

\*) Maximum breakaway torque  $M_{d_{breakaway}} [Nm]$  for F-2 and F-3-S ISO standard A depending on material combinations (PFA+PFA / PFA+PT-FE). All data incl. 100% safety factor Breakaway torques for valves - types F-4 and F-3-W on request

\*\*\*) on request

Due to geometric reasons partly threaded holes in flange drilling



F-2 ISO-STANDARD-A



F-3-S ISO-STANDARD-A



F-3-W ISO-STANDARD-A



	DIN EN 1092/1 / 588-1										ISO 5211 flange	dihe-dron	torque* [Nm]	weight [kg]	K <sub>vs</sub> -value [m <sup>3</sup> /h]	C <sub>v</sub> -value [US.gal/min]
	DN	PN	L1	L2	L3	E	R	H	I	Gear						
ASME B 16.5 / 16.10	100S	10-16	350	**	**	84	400	230	290	Q1500-S	F16	36	600/350	32	447	517
		25-40	325	**	**	84	400	260	290	Q1500-S	F16	36	1200/900	74	358	414
	125	10-16	350	200	200	84	400	265	290	Q1500-S	F16	36	1200/900	85	822	951
		25-40	400	**	**	96,5	600	320	350	Q2000-S	F16	36	2600/--	119	1727	1997
	150	10-16	450	**	**	117,5	600	352	465	Q5000-S	F16	36	3200/--	195	2052	2373
		25-40	500	**	**	117,5	600	340	465	Q5000-S	F16	36	3200/--	253	1707	1973
	200	10-16	254	154	154	84	500	230	328	Q1500-S	F16	27	600/350	27	492	569
		25-40	325	**	**	84	500	260	363	Q1500-S	F16	27	1200/900	32	394	455
	250	10-16	254	**	**	118	500	260	363	Q1500-S	F16	27	1200/900	61	904	1046
		25-40	300	**	**	118	500	265	363	Q1500-S	F16	27	1200/900	78	1900	2197
	300	10-16	292	**	**	138	500	320	440	Q2000-S	F16	36	2600/--	103	1900	2197
		25-40	419	**	**	138	500	320	440	Q2000-S	F16	36	2600/--	138	2257	2610
350	10-16	330	**	**	138	500	352	440	Q5000-S	F16	36	3200/--	140	2257	2610	
	25-40	457	**	**	138	500	352	440	Q5000-S	F16	36	3200/--	176	2257	2610	
400	10-16	356	**	**	138	500	340	440	Q5000-S	F16	36	3900/--	168	1877	2170	
	25-40	502	*	*	138	500	340	440	Q5000-S	F16	36	3900/--	187	1877	2170	

For geometric reasons, threads are used in the flange bores in a few cases

ISO flange instructions, weights and Kvs values for straight-way valves

\*) Maximum breakaway torque MD breakaway [Nm] for F2 and F3S ISO STANDARD A depending on material combinations (PFA+PFA / PFA+PTFE). All data incl. 100% safety factor. Breakaway torques for valves – tapes F-4 and F3W on request

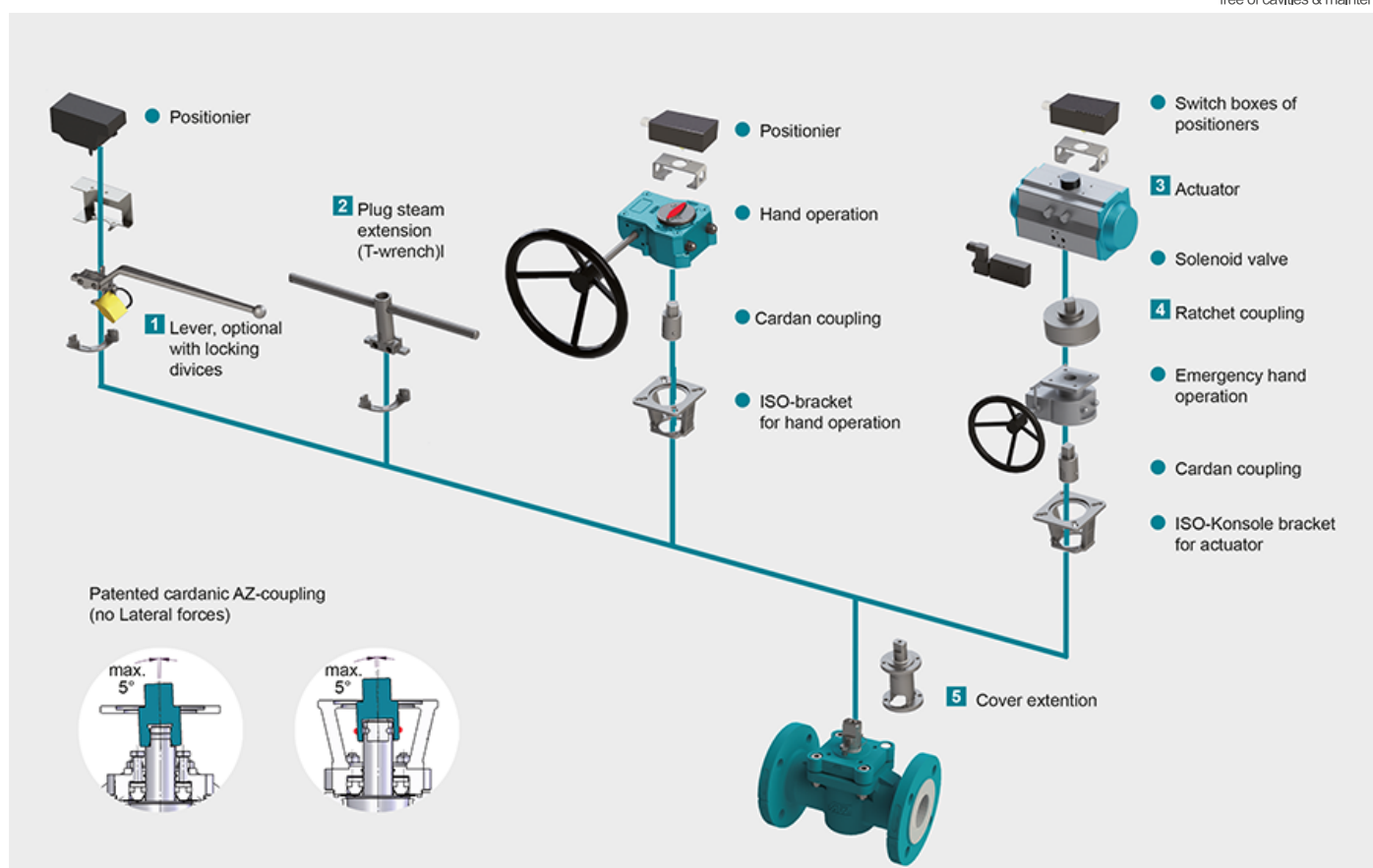
\*\*) on request

For geometric reasons, threads are used in the flange bores in a few cases

ISO flange instructions, weights and Kvs values for straight-way valves

\*) Maximum breakaway torque MD breakaway [Nm] for F2 and F3S ISO STANDARD A depending on material combinations (PFA+PFA / PFA+PTFE). All data incl. 100% safety factor. Breakaway torques for valves – tapes F-4 and F3W on request

## Actuation



## 1 Locking Devices

Pilot valve combinations, pad lock eyelets, linear key conception, indexing plunger arrestor.

## [read more \[...\]](#) 2 Plug stem extension

Solid construction in stainless steel with T-wrench, Standard extension 100 mm or 150 mm, non standard lengths are available on request

## [read more \[...\]](#) 3 Actuators

Actuators for mounting-flange acc. to DIN ISO 5211

[read more \[...\]](#) NEW: Pneumatic actuator AIR GEAR for plug valves with high torque  $\geq 150.000$  Nm

## [read more \[...\]](#) 4 Ratched coupling

To usw on multiport valves with standard 90° actuator for bigger switchpositions than 90°

## [read more \[...\]](#) 5 Cover extension

Solid construction in stainless steel, Standard extension 100 mm or 150 mm high, non standard lengths are available on request . Hexagonal bolts on adjustment ring freely accessible. Note: Don't use with sealing FSN/FSN-SL and CASN/CASN-SL

[read more \[...\]](#)